



## TECHNICAL DATA

### TYPE

LOUP floodlight with low wind resistance. Comprehensive range available in Two sizes with extensive optical and light distributions from 1000W up to 1600W to cover all applications. Can be tilted in all directions thanks to its fixing galvanized and painted bracket.

### CHARACTERISTICS

LEDs: 5050  
 Nomial efficacy:160 lm/W  
 Maximum LED: 1000mA  
 Lifetime L90B10:>50,000 hours  
 Luminous flux and efficacy at 5700°K  
 Luminous flux tolerance <+/-3%  
 Values may be subject to change du LED binning.

### OPENING/BEAM

High efficiency Ra>80 LED. 90°

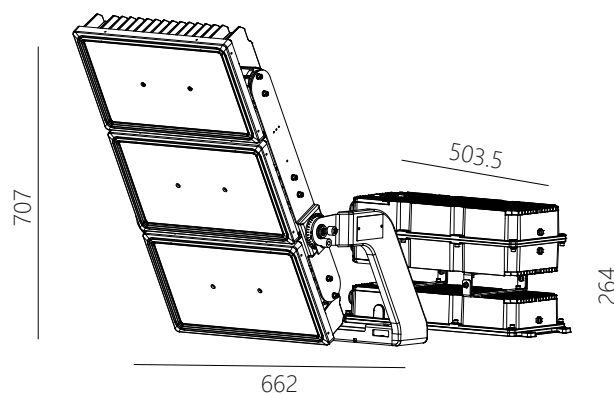
### MATERIAL

Die-cast aluminium, Transparent 4mm  
 tempred-Glass  
 Aluminum frame  
 Steel Galvanized and painted bracket



<b>Model:</b>	Loup
<b>Format:</b>	Rectangular
<b>Location:</b>	Exterior
<b>Wattage:</b>	1600W
<b>Materials:</b>	Aluminium
<b>Led Color:</b>	5700K
<b>Product Dimension:</b>	662*707mm
<b>IP Code:</b>	66
<b>Fixation:</b>	Surface
<b>CRI :</b>	70
<b>Lumen Output:</b>	256,000LM
<b>Frequency:</b>	50/60 Hz
<b>Beam Angle:</b>	90°
<b>Net Weight:</b>	28.5 kgs

## DIMENSION DRAW



# OUTDOOR